



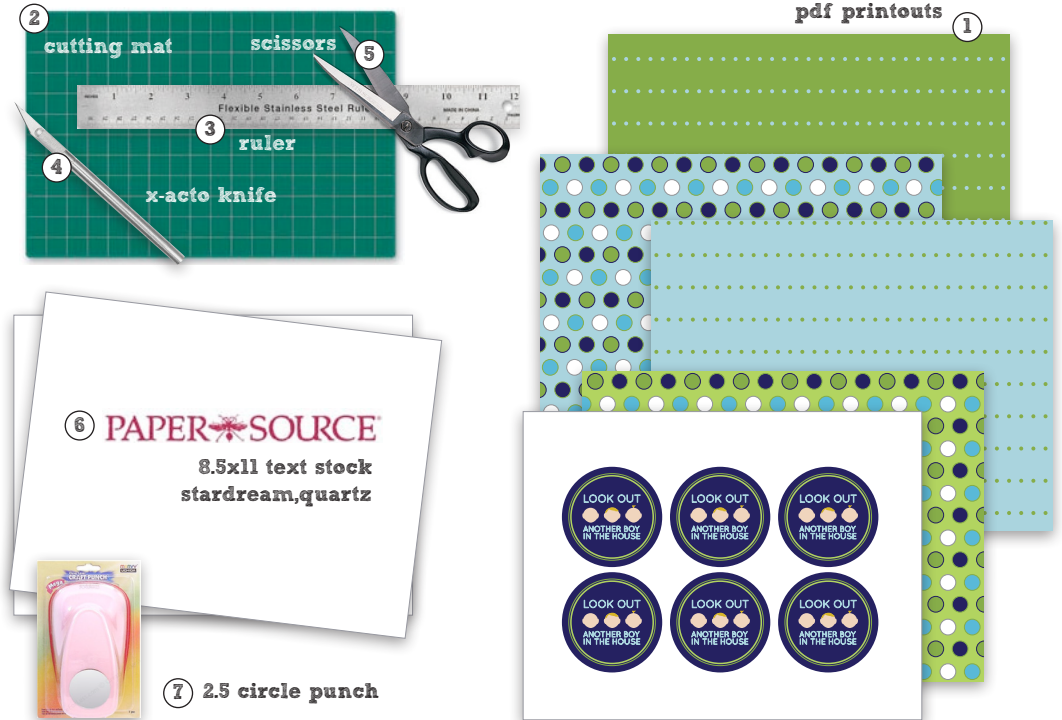
KELLIEMEDIVITZ
(WEB AND GRAPHIC DESIGN)

Copyright © Kellie Medivitz {web and graphic design}. For non-commercial, personal use only. Modification of this design does not void the copyright. Distribution physically or digitally (even without profit) is prohibited. Please link back to my DIY post if you would like to share this goodie on your site or blog.

DIY PROJECT

IT'S A WRAP! TINY GIFTS. BIG THOUGHTS.

{LOOK OUT ANOTHER BOY... + DIAPER CAKE}



IT'S A WRAP DIRECTIONS

1. Print page 3 of this PDF at 100% onto cover stock (8.5x11) of your choice
2. Print pages 4 thru 7 of this PDF at 100% onto text stock (8.5x11) of your choice
3. Wrap your gift and away you go!

TA-DA! THERE YOU HAVE IT!

Your very own "Look Out Another Boy In The House" themed wrap set and diaper cake.

DIAPER CAKE MATERIALS

(These are the basic supplies needed for your cake structure)

① diapers (sizes, n, 1, and 2)



② rubber bands

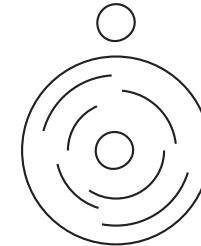


④ skinny ribbon

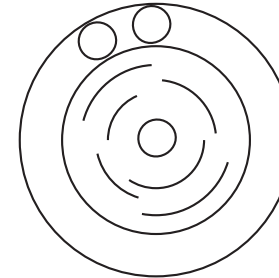
③ elastic headbands



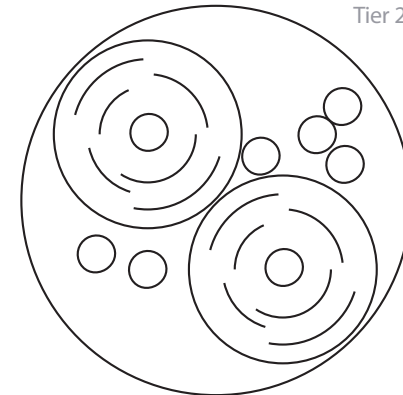
Single Roll



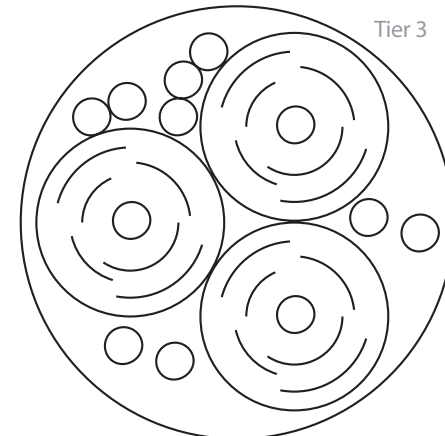
Cake Center



Tier 1



Tier 2



Tier 3

DIAPER CAKE DIRECTIONS

Step (1) Single Roll

Keeping diapers in original fold from package, begin to roll diaper with waistband facing inwards.

Step (2) Cake Center

Repeat step 1 and continue to roll diapers around each other until you have reached desired size. Rubber band when needed. Repeat Step (2) 5 more times to total 6 cake centers.

(Note: I usually use size 1 for the majority of cake centers)

Step (3) Tier 1

Wrap a Headband around the outside of the cake center.
Start adding single rolls around the outside until you reach the desired size.

Step (4) Tier 2

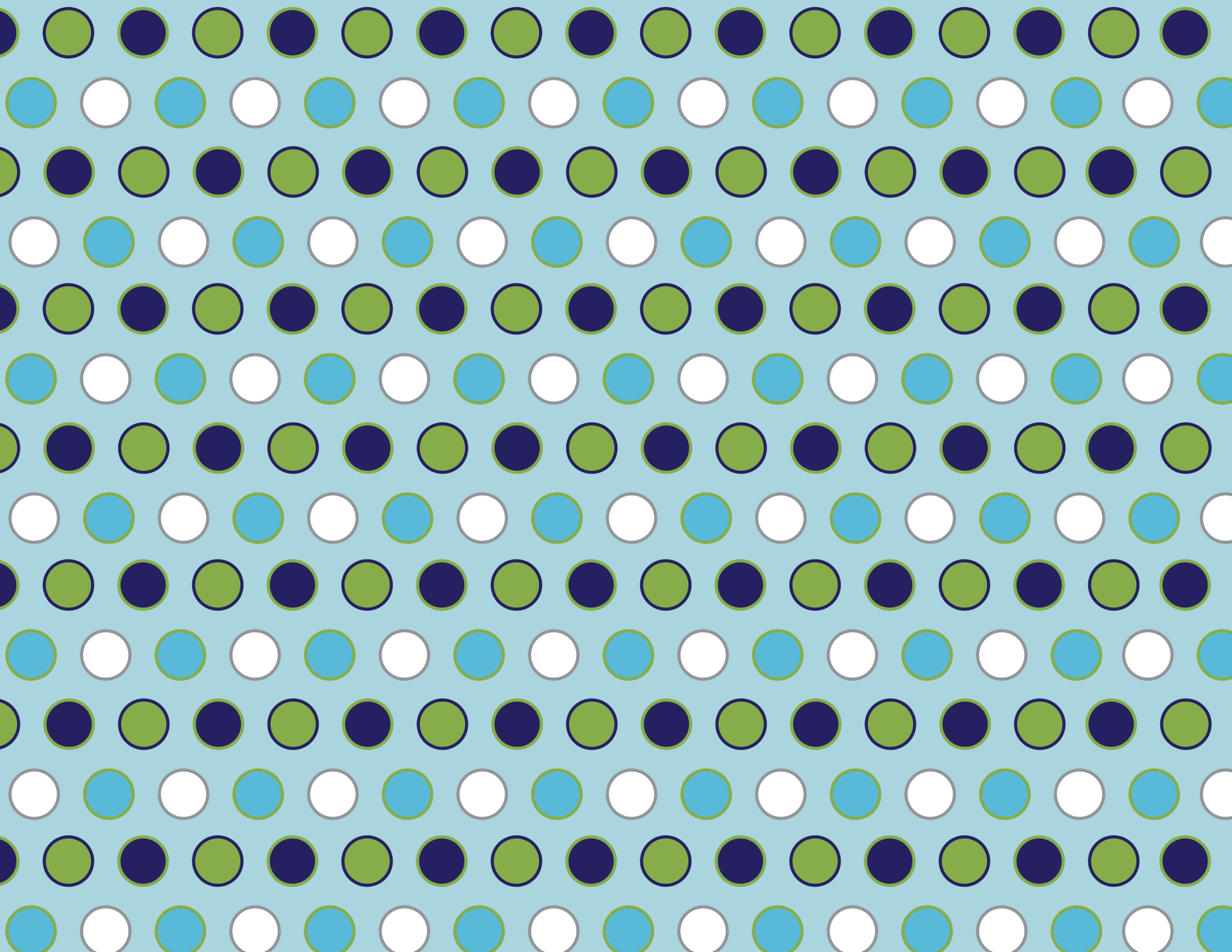
Wrap a headband around the outside of two cake centers.
Start filling in spaces and work your way around in a circle with single rolls.

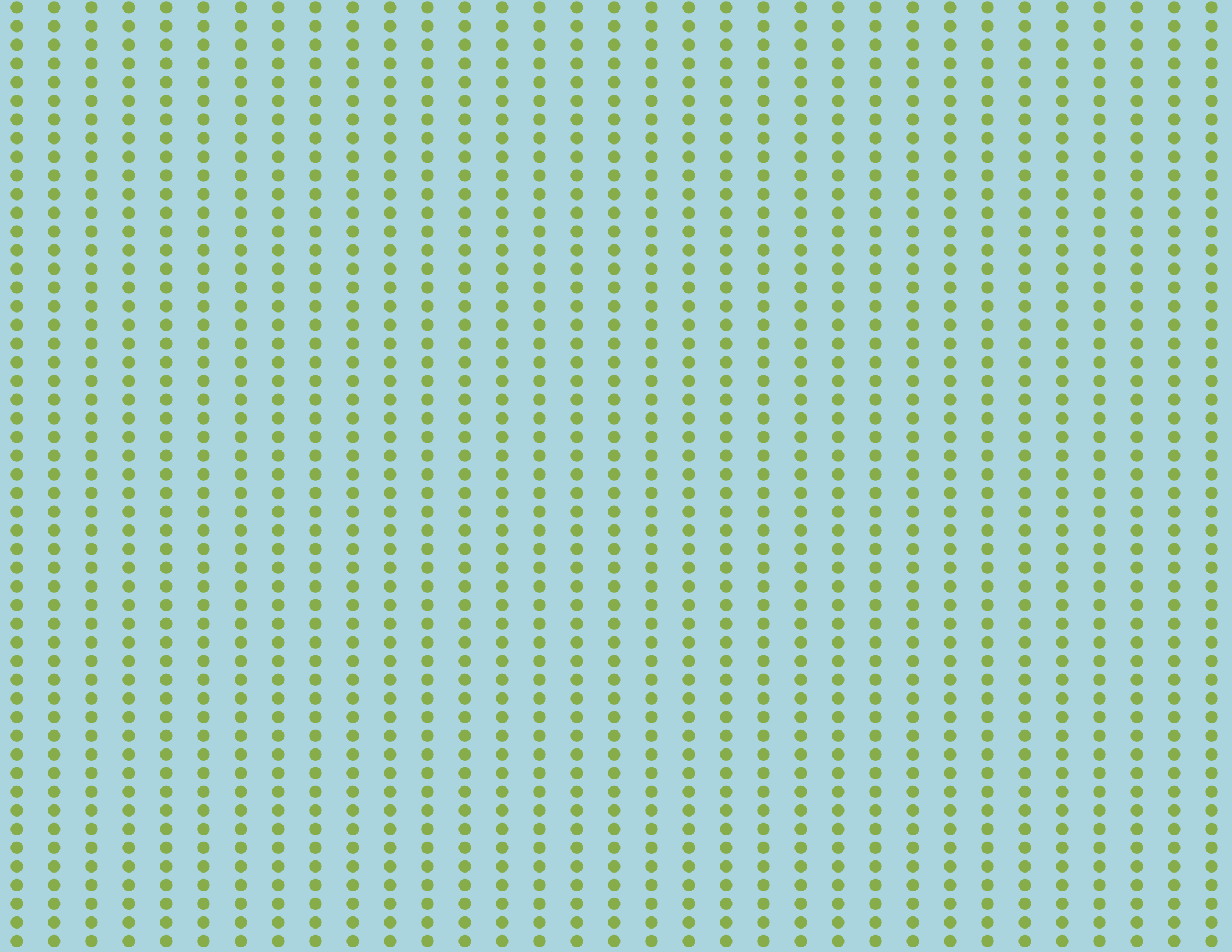
Step (5) Tier 3

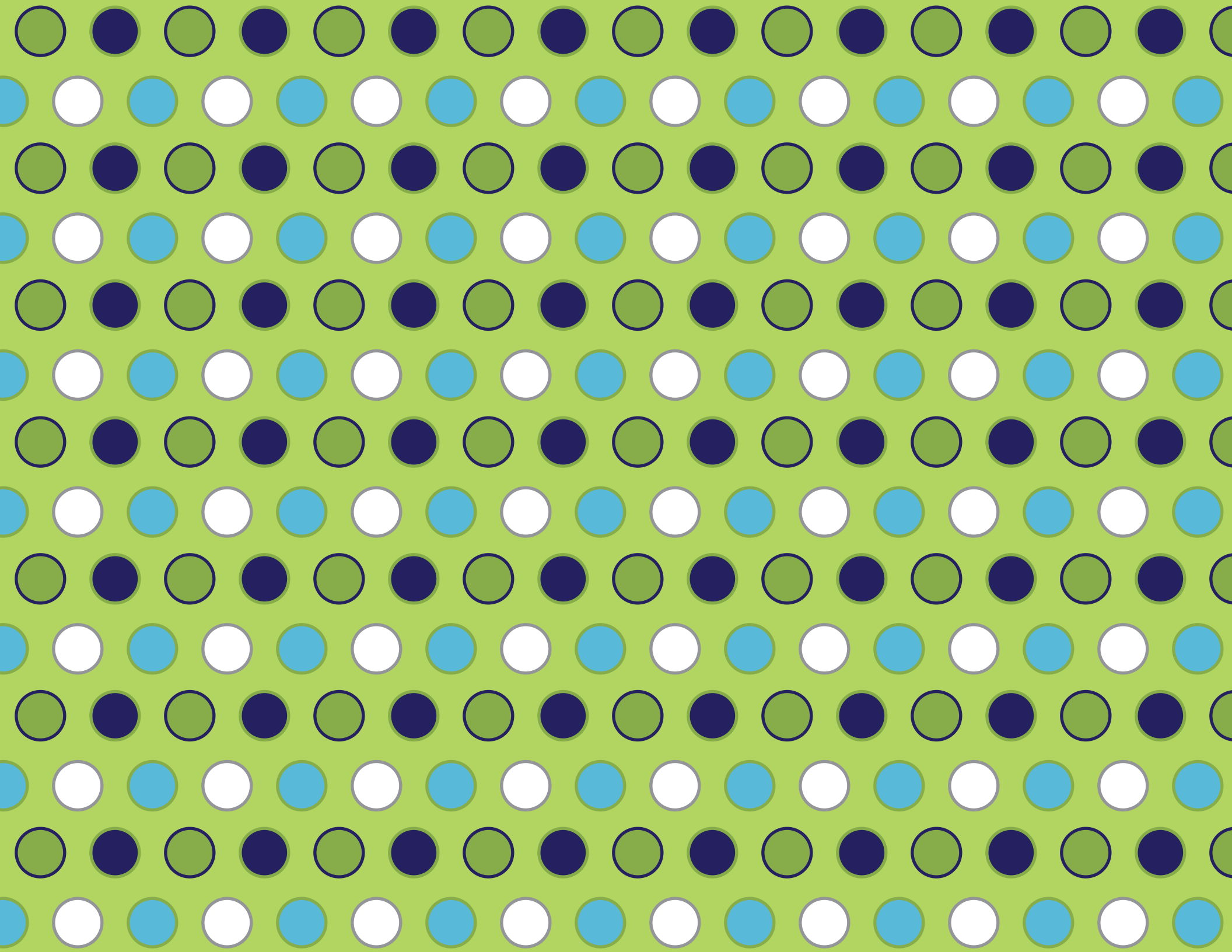
Wrap a headband around the outside of three cake centers.
Start filling in spaces and work your way around in a circle with single rolls.

(Note: for extra tightness, tie skinny ribbon around each tier before you tie decorative ribbon.)









KELLIEMEDIVITZ
{WEB AND GRAPHIC DESIGN}

Copyright © Kellie Medivitz {web and graphic design}. For non-commercial, personal use only. Modification of this design does not void the copyright. Distribution physically or digitally (even without profit) is prohibited. Please link back to my DIY post if you would like to share this goodie on your site or blog.